

## **SANYO Commercial Solutions**

HVAC Solutions Group  
1165 Allgood Rd., N.E., Suite 22  
Marietta, GA 30062  
Tel: 770.977.8510  
[www.sanyohvac.com](http://www.sanyohvac.com)

---



# **Technical Service Bulletin**

2007.06.11

**Category:**

Installation Wiring

**Topic:**

Procedure for correcting Error Code E01, typically caused by "Reversed Polarity"

**Applicable Product:**

All Sanyo "72 Series R-410-A Air Conditioners and Heat Pumps to include (Flexi-Multi) of 7,000 to 31,000 BTU Capacities

**ERROR CODE "E01":**

Procedure for Reversed Polarity

**Symptoms:**

- Upon powering up the system a green operation light will start to "blink" every 0.5 seconds.
- When initializing a self-diagnostic check using the remote controller, an E01 error code will be revealed.

## Check the following items:

- Verify the wiring which runs from the indoor to the outdoor unit, which should be a 14-3 conductor (or larger per local code requirements) plus ground wire.
- These three wires supply the 208/230 VAC from the outdoor unit to also power up the indoor unit.
- These wires must be landed terminal 1 to 1, 2 to 2 and 3 to 3 from the outdoor to the indoor unit's wire termination strip (see Figure 1).
- **When the wires on terminals 1 & 2 are crossed from the indoor to the outdoor unit, an immediate error will occur upon powering up the system.**

## Repair procedure:

- Turn power off to the system.
- Reverse the wires landed on terminals 1 & 2 at either the indoor or outdoor unit's wire termination strip.
- Once the system is powered back on the system should now operate normally.
- There is a standard 3 minute delay before the condensing unit will come on and run.

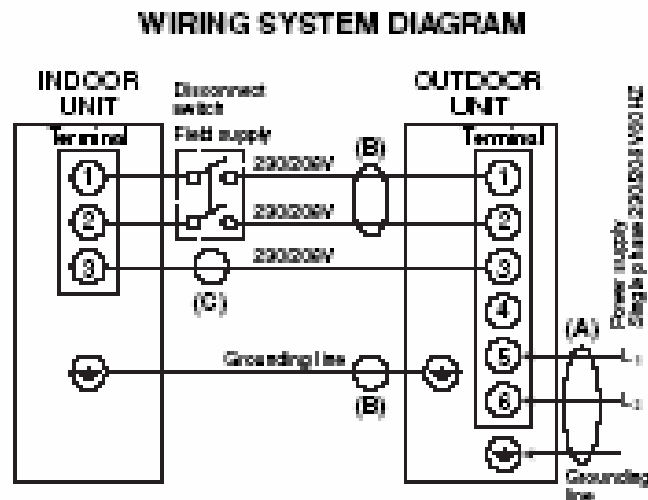


Figure 1