

Parts List



File No.

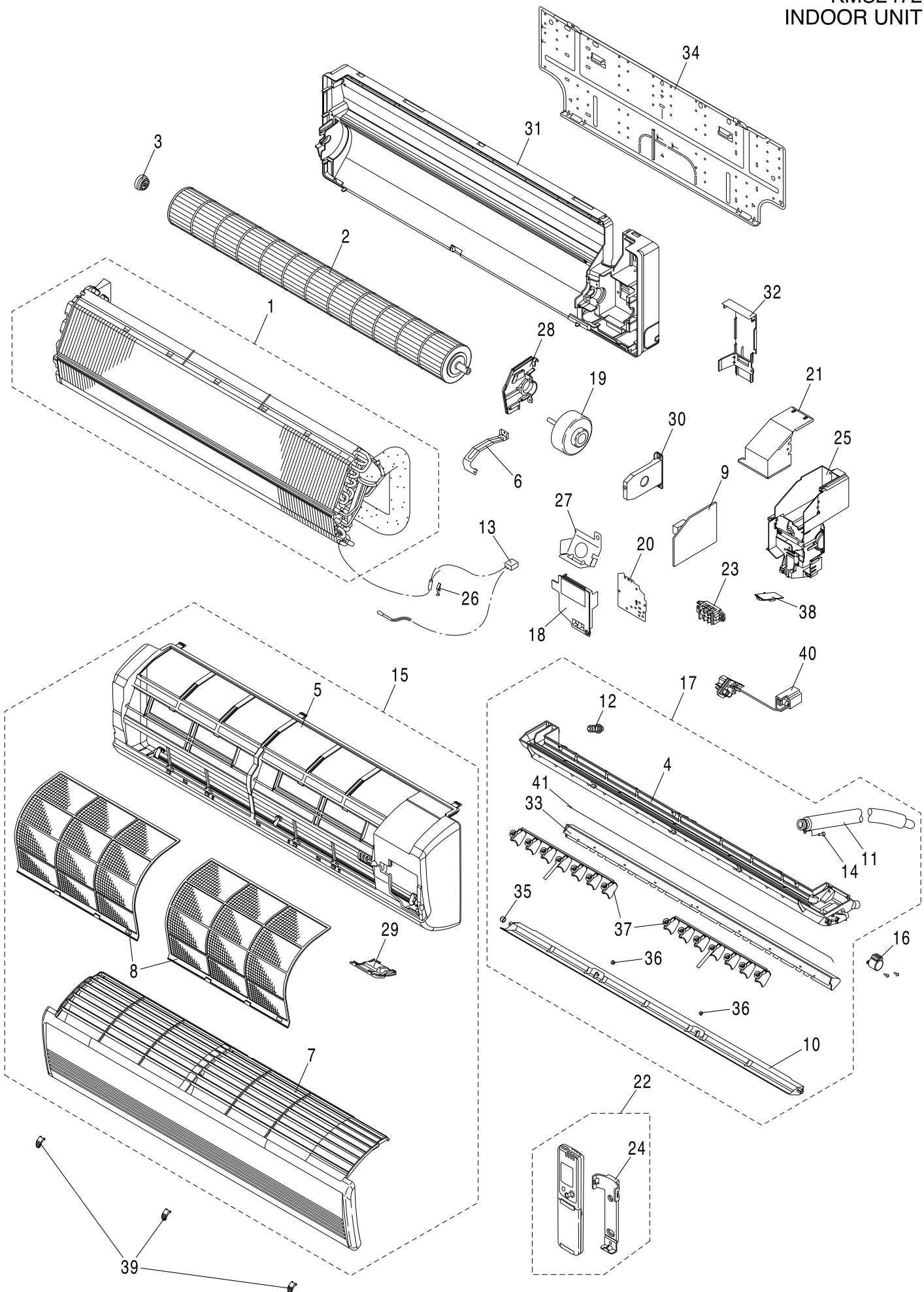
Air Conditioner

INDOOR UNIT
KMS2472

Model No.	Prod.Code	Volt-Phase-Hertz
KMS2472	1 852 099 91	230-208-1-60

REFERENCE No.PL 706288

KMS2472
INDOOR UNIT



ATTENTION !

To ensure correct parts supply, please let us know followings,
when you make service parts order:

1.Part No. 2.Description 3.Q'ty 4.Volts-Hz-Ph 5.Product Model No.

KMS2472
INDOOR UNIT

Key No.	Part No.	Description	Q'ty	Reference No.	
1	623 191 7704	Evaporator Ass'y	1	852-0-4116-93200	
*	2	623 184 5397	Cross-Flow Fan Ass'y	1	852-0-2509-29200
*	3	623 171 8318	Bearing Housing Ass'y	1	852-0-2510-13200
4	623 191 7520	Air Outlet Frame	1	852-2-1531-21011	
5	623 191 7513	Grille	1	852-2-1501-52211	
6	623 184 5366	Mounting Plate	1	852-2-2385-12801	
7	623 191 7506	Ornamental Plate	1	852-2-1516-38711	
8	623 191 7490	Air Filter Ass'y	2	852-0-2307-34502	
*	9	623 193 2424	Circuit Board Ass'y CB-KMS2472	1	8FA-0-5181-20600
10	623 191 7551	Flap	1	852-2-1523-30011	
11	623 177 2235	Drain Hose Ass'y	1	852-0-1303-29400	
12	623 171 8363	Cap, Drain Pan	1	852-2-2348-12401	
*	13	623 190 7682	Thermistor Ass'y PTM-D51H-S3-2	1	8FA-0-5259-20300
14	623 151 0646	Screw Special	1	852-2-2396-15101	
15	623 191 7544	Grille Ass'y	1	852-0-1501-74900	
*	16	623 177 2204	Step Motor MP24Z3-12V	1	1FA-4-M3A0-00900
17	623 191 7599	Air Outlet Ass'y	1	852-0-1531-30600	
18	623 193 2363	Terminal Cover Ass'y	1	852-0-5309-07900	
*	19	623 184 5496	Fan Motor SIC-39CVL-D847-2	1	1FA-4-M5B0-07100
20	623 184 5489	Mounting Plate	1	852-2-2385-13001	
21	623 184 5472	Cover Plate	1	852-2-5309-41401	
*	22	623 190 8542	Remote Control Switch RCS-4VPIS4U	1	8FA-0-0054-28900
23	623 003 2996	Terminal Base KTU15N-3J	1	4-2379-56159	
24	623 171 8400	Holder	1	851-2-5377-02001	
25	623 191 7667	Elec. Component Box	1	852-2-5307-70911	
26	623 148 5876	Mounting Thermostat	1	852-2-5303-22401	
27	623 191 7650	Angle Terminal	1	852-2-5306-36301	
28	623 191 7643	Mounting Plate Ass'y	1	852-0-2217-18200	
29	623 191 7636	Sash ORN Ass'y	1	852-0-1301-31400	
30	623 191 7629	Mounting Plate, Fan Motor	1	852-2-2354-30711	
31	623 191 7612	Frame Ass'y	1	852-0-2201-43600	
32	623 191 7605	Mounting, Tube	1	852-2-2362-30212	
33	623 191 7698	Guide Air Defl	1	852-2-2360-19711	
34	623 184 5625	Rear Panel	1	852-2-2230-22901	
35	623 146 9104	Mounting	1	852-2-1514-52001	
36	638 003 7209	Mounting	2	852-2-1514-44002	
37	623 191 7681	Blade	2	852-2-1519-35411	
*	38	623 190 8306	P.C.B. Ass'y IND-KHS1271	1	8FA-0-5178-55900
39	623 191 7674	Cap	3	852-2-2350-24211	
*	40	623 184 5588	Minus Ion Generator ION-YU11-1S6	1	1FA-4-P1Z0-06300
41	623 192 0513	Wire	1	852-2-1315-36101	

NOTE: Metal and plastic parts will be supplied basically with necessary heat insulation pads or packing.
Each key number with an asterisk (*) means the recommended service parts.

For Parts or Service Contact

SANYO Fisher Service Company
A Division of SANYO North America Corporation
1165 Allgood Road, Suite 22, Marietta, GA 30062 U.S.A.

Sanyo Canada Inc.
1-300 Applewood Crescent, Concord, Ontario, L4K 5C7, CANADA
-4- 3/06 Printed in Japan