

# Parts List



File No.

## Air Conditioner

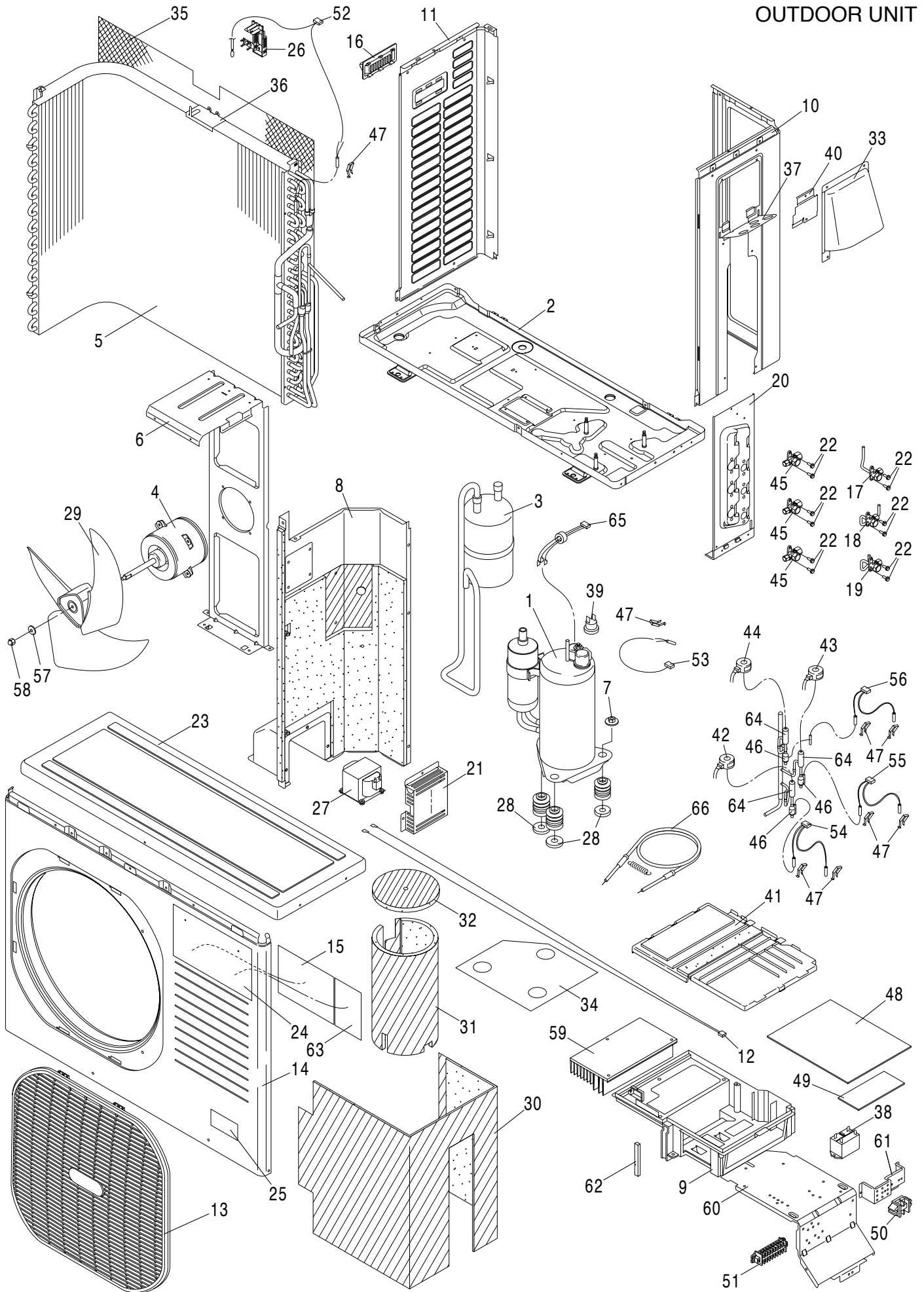
OUTDOOR UNIT  
CLM1972

---

Model No.	Prod.Code	Volt-Phase-Hertz
CLM1972	1 852 330 33	230-208-1-60

REFERENCE No.PL 706321

CLM1972  
OUTDOOR UNIT



# ATTENTION !

To ensure correct parts supply, please let us know followings,  
when you make service parts order:

1.Part No. 2.Description 3.Q'ty 4.Volts-Hz-Ph 5.Product Model No.

CLM1972  
OUTDOOR UNIT

Key No.	Part No.	Description	Q'ty	Reference No.
* 1	623 192 4016	Comp Sub Ass'y 5KD240XAB21	1	852-0-4526-34100
2	623 191 7834	Bottom Plate Ass'y	1	852-0-2202-80011
3	623 192 4009	Accumulator Ass'y	1	852-0-4511-31400
* 4	623 191 5427	Fan Motor SIC-71FW-D490-1	1	1FA-4-M4A0-10400
5	623 193 1830	Heat Exch Cond Ass'y	1	852-0-4119-20300
6	623 191 7810	Mounting Plate, Fan Motor	1	852-2-2354-31410
7	623 193 8068	Nut Special	3	852-2-2226-15501
8	623 193 1823	Partition Plate Ass'y	1	852-0-2209-40910
9	623 191 7230	Elec.Component Box	1	852-2-5307-70601
10	623 193 1854	Side Panel	1	852-2-1114-42311
11	623 191 7865	Side Panel	1	852-2-1114-41311
* 12	623 192 4290	Wire Ass'y CN-REACTOR	1	8FA-0-5285-65200
13	623 191 7858	Guard	1	852-2-1321-24211
14	623 191 7841	Front Panel	1	852-2-1118-24711
15	623 193 7757	Elec. Wiring Diagram	1	8FA-2-5257-59400
16	623 191 7186	Handle	1	852-2-2303-17811
17	623 192 4092	Valve Ass'y 1/4"	1	852-0-4515-44000
18	623 192 4085	Valve Ass'y 1/4"	1	852-0-4515-44100
19	623 192 4078	Valve Ass'y 1/4"	1	852-0-4515-44200
20	623 193 1861	Support Valve	1	852-2-2222-38711
21	623 191 7421	Cover Plate	1	852-2-5315-49101
22	623 090 6907	Deltite Screw	12	3-9201-61601
23	623 191 7933	Top Plate Ass'y	1	852-0-1103-23210
24	623 192 4047	Mark	1	852-2-1316-44002
25	623 161 1497	Label	1	854-2-1358-95900
26	623 171 9278	Mounting Thermostat	1	852-2-5303-24501
* 27	623 191 7902	Reactor R9020A-TE-COV	1	1FA-4-L5C0-13500
28	623 191 5618	Cushion Rubber	3	852-2-2390-30800
29	623 191 5458	Propeller Fan	1	852-2-2502-20100
30	623 192 4115	Insulation	1	852-2-2476-69300
31	623 192 4108	Insulation	1	852-2-2476-71900
32	623 191 5632	Insulation	1	852-2-2476-72000
33	623 191 7896	Cover Ass'y	1	852-0-2309-25100
34	623 191 5526	Sheet	1	852-2-5328-50000
35	623 191 7926	Guard	1	852-2-1321-24700
36	623 191 7919	Mounting Plate	1	852-2-2385-15811
37	623 193 1885	Conduit Plate	1	852-2-1319-45100
* 38	623 172 7730	Power Relay EL1U	1	1FA-4-S2A0-10000
39	623 192 4139	Thermistor Ass'y	1	8FA-0-5155-00600
40	623 193 1878	Mounting Plate	1	852-2-2385-17811
41	623 191 7353	Cover,Elec.Component Box Ass'y	1	852-0-5302-30700
* 42	623 192 4184	Magnetic Coil UKV-A014 5P A-MV	1	8FA-0-5251-15200
* 43	623 192 4177	Magnetic Coil UKV-A006 5P B-MV	1	8FA-0-5251-15300
* 44	623 192 4160	Magnetic Coil UKV-A007 5P C-MV	1	8FA-0-5251-15400
45	623 192 4313	Valve Ass'y 3/8"	3	852-0-4518-20700
46	623 155 2424	Strainer Ass'y	3	852-0-4506-19500
47	623 148 5876	Mounting Thermostat	8	852-2-5303-22401
* 48	623 193 7764	Circuit Board Ass'y CB-CLM1972	1	8FA-0-5181-19500
* 49	623 192 4269	P.C.B. Ass'y POW-CMV4S1	1	8FA-0-5178-57900
* 50	623 160 7445	Terminal Base JTu30-2U	1	1FA-4-J3A0-13300

NOTE: Metal and plastic parts will be supplied basically with necessary heat insulation pads or packing. Each key number with an asterisk (\*) means the recommended service parts.

**ATTENTION !**

To ensure correct parts supply, please let us know followings,  
when you make service parts order:

1.Part No. 2.Description 3.Q'ty 4.Volts-Hz-Ph 5.Product Model No.

CLM1972  
OUTDOOR UNIT

Key No.	Part No.	Description	Q'ty	Reference No.
* 51	623 193 1908	Terminal Base KTU15N-9J	1	1FA-4-J3A0-26500
* 52	623 192 4245	Thermistor Ass'y K TKS292B/295B	1	8FA-0-5259-16700
* 53	623 192 4238	Thermistor Ass'y K TKS293B	1	8FA-0-5259-16900
* 54	623 192 4221	Thermistor Ass'y K TKS292B/292B	1	8FA-0-5259-17400
* 55	623 192 4214	Thermistor Ass'y K TKS292B/292B	1	8FA-0-5259-17500
* 56	623 192 4207	Thermistor Ass'y K TKS292B/292B	1	8FA-0-5259-17600
57	638 004 7574	Washer	1	3-9021-03300
58	638 012 6705	Funa 6 SUS305	1	3-9275-06010
59	623 190 7538	Cooler A6063S-T5	1	852-2-4127-24201
60	623 191 7346	Mounting Plate	1	852-2-2385-15601
61	623 193 1915	Mounting Plate	1	852-2-2385-15701
62	623 191 7292	Packing	1	852-2-2380-98210
63	623 192 6119	Elec. Wiring Diagram SELF DIAGNO	1	8FA-2-5257-68500
* 64	623 170 4267	Solenoid Control Valve UKV-18D13	3	854-2-4548-15000
65	623 192 4283	Wire Ass'y CN-COMP	1	8FA-0-5285-66100
66	623 193 2110	Heater K SP4407Q-09	1	8FA-0-5255-03400

NOTE: Metal and plastic parts will be supplied basically  
with necessary heat insulation pads or packing.  
Each key number with an asterisk (\*) means the  
recommended service parts.

For Parts or Service Contact

SANYO Fisher Service Company  
A Division of SANYO North America Corporation  
1165 Allgood Road, Suite 22, Marietta, GA 30062 U.S.A.

Sanyo Canada Inc.  
1-300 Applewood Crescent, Concord, Ontario, L4K 5C7, CANADA