

Parts List



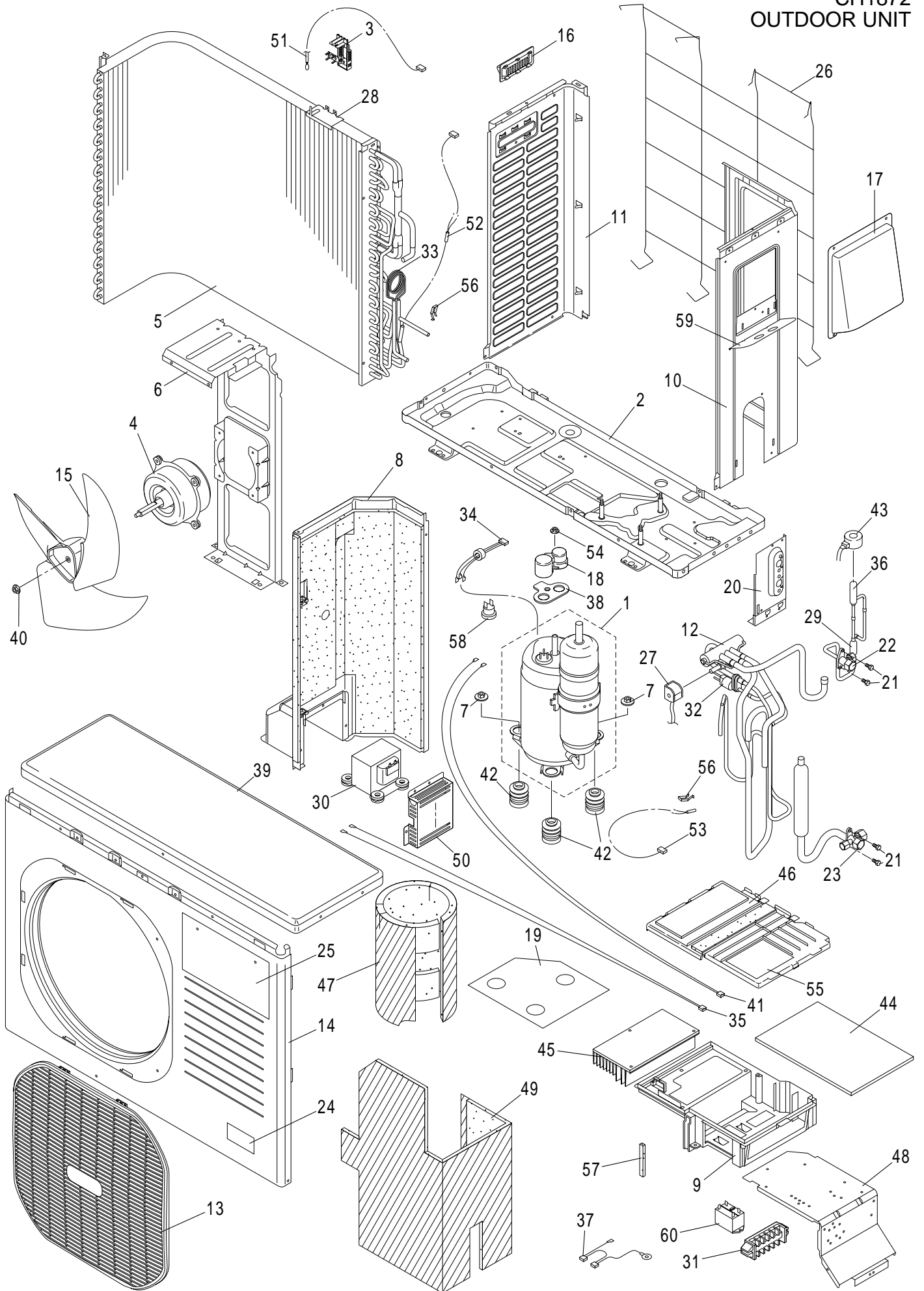
File No.

Air Conditioner

OUTDOOR UNIT
CH1872

Model No.	Prod.Code	Volt-Phase-Hertz
CH1872	1 852 330 38	230-208-1-60

CH1872
OUTDOOR UNIT



ATTENTION !

To ensure correct parts supply, please let us know followings,
when you make service parts order:

1.Part No. 2.Description 3.Q'ty 4.Volts-Hz-Ph 5.Product Model No.

CH1872
OUTDOOR UNIT

Key No.	Part No.	Description	Q'ty	Reference No.
* 1	623 190 7392	Compressor Ass'y C-6RVN93H0Q	1	852-0-4516-52100
2	623 191 7438	Bottom Plate Ass'y	1	852-0-2202-79501
3	623 171 9278	Mounting Thermostat	1	852-2-5303-24501
* 4	623 191 7162	Fan Motor DAJ12-55J71A-CU	1	1FA-4-M4A0-07760
5	623 190 7361	Heat Exch Cond Ass'y	1	852-0-4119-19400
6	623 191 7148	Mounting Plate, Fan Motor	1	852-2-2354-31310
7	623 029 6534	Nut Special Ass'y	3	851-0-2395-10501
8	623 191 7131	Partition Plate Ass'y	1	852-0-2209-40700
9	623 191 7230	Elec. Component Box	1	852-2-5307-70601
10	623 191 7223	Side Panel	1	852-2-1114-41411
11	623 191 7216	Side Panel	1	852-2-1114-40311
* 12	623 191 7445	Solenoid Valve Ass'y STF-02U2G	1	852-0-4509-22800
13	623 191 7209	Guard	1	852-2-1321-24311
14	623 191 7193	Front Panel	1	852-2-1118-24211
15	623 190 7408	Propeller Fan	1	852-2-2502-19801
16	623 191 7186	Handle	1	852-2-2303-17811
17	623 191 7254	Cover Plate	1	852-0-2309-25200
18	626 040 0765	Cover Terminal	1	801-2-6194-13300
19	623 190 7439	Sheet	1	852-2-5328-49900
20	623 191 7247	Support Valve	1	852-2-2222-38211
21	623 090 6907	Deltite Screw	4	3-9201-61601
22	623 190 7422	Valve Ass'y 1/4"	1	852-0-4515-43300
23	623 184 5175	Valve Ass'y 1/2"	1	852-0-4522-20500
24	623 161 1497	Label	1	854-2-1358-95900
25	623 190 7477	Mark	1	852-2-1316-44001
26	623 190 7460	Guard Ass'y	1	852-0-1111-23601
* 27	623 191 8046	Magnetic Coil	1	8FA-0-5251-14600
28	623 191 7285	Mounting Plate	1	852-2-2385-13511
29	623 155 2424	Strainer Ass'y	1	852-0-4506-19500
* 30	623 191 7902	Reactor R9020A-TE-COV	1	1FA-4-L5C0-13500
* 31	623 096 5041	Terminal Base JTU20-6U	1	4-2379-56228
32	623 191 7261	SW K ACB-4UB41W	1	8FA-0-5257-02500
33	623 145 1123	Capillary Tube	2	852-2-4268-12400
* 34	623 190 7507	Wire Ass'y CN-COMP	1	8FA-0-5285-67300
* 35	623 190 7491	Wire Ass'y CN-REACTOR	1	8FA-0-5285-67400
36	623 185 9929	Elec Exp Valve Ass'y	1	852-0-4524-17400
* 37	623 191 7315	Wire Ass'y CN-OLR&HP-SW	1	8FA-0-5285-70700
38	626 040 1021	Gasket Terminal	1	801-2-5303-14800
39	623 191 7308	Top Plate Ass'y	1	852-0-1103-23110
40	623 097 4500	Frang Nut	1	3-9277-06021
* 41	623 190 7569	Wire Ass'y CN-OLR	1	8FA-0-5285-70400
42	623 177 1597	Cushion Rubber	3	852-2-2390-28800
* 43	623 190 7552	Magnetic Coil	1	1FA-4-L8A0-37900
* 44	623 191 7469	Circuit Board Ass'y CB-CH1872	1	8FA-0-5181-22000
45	623 190 7538	Cooler A6063S-T5	1	852-2-4127-24201
46	623 191 7353	Cover,Elec.Component Box Ass'y	1	852-0-5302-30700
47	623 163 5721	Insulation	1	852-2-2476-55800
48	623 191 7346	Mounting Plate	1	852-2-2385-15601
49	623 190 7613	Insulation	1	852-2-2476-71600
50	623 191 7421	Cover Plate	1	852-2-5315-49101

NOTE: Metal and plastic parts will be supplied basically with necessary heat insulation pads or packing. Each key number with an asterisk (*) means the recommended service parts.

ATTENTION !

To ensure correct parts supply, please let us know followings,
when you make service parts order:

1.Part No. 2.Description 3.Q'ty 4.Volts-Hz-Ph 5.Product Model No.

CH1872
OUTDOOR UNIT

Key No.	Part No.	Description	Q'ty	Reference No.
* 51	623 190 7606	Thermistor Ass'y K TKS295B	1	8FA-0-5259-18700
* 52	623 190 7590	Thermistor Ass'y K TKS292B	1	8FA-0-5259-19000
* 53	623 190 7583	Thermistor Ass'y K TKS293B	1	8FA-0-5259-19100
54	626 040 0888	Nut 5mm	1	801-2-8305-10100
55	623 191 7476	Elec. Wiring Diagram	1	8FA-2-5257-64000
56	623 148 5876	Mounting Thermostat	2	852-2-5303-22401
57	623 191 7292	Packing	1	852-2-2380-98210
* 58	623 190 7637	Thermostat CS-7L115	1	4-2339-60069
59	623 191 7278	Conduit Plate	1	852-2-1319-45000
* 60	623 172 7730	Power Relay EL1U	1	1FA-4-S2A0-10000

NOTE: Metal and plastic parts will be supplied basically
with necessary heat insulation pads or packing.
Each key number with an asterisk (*) means the
recommended service parts.



SANYO Electric Co.,Ltd
Osaka, Japan
1/06 Printed in Japan