

Parts List



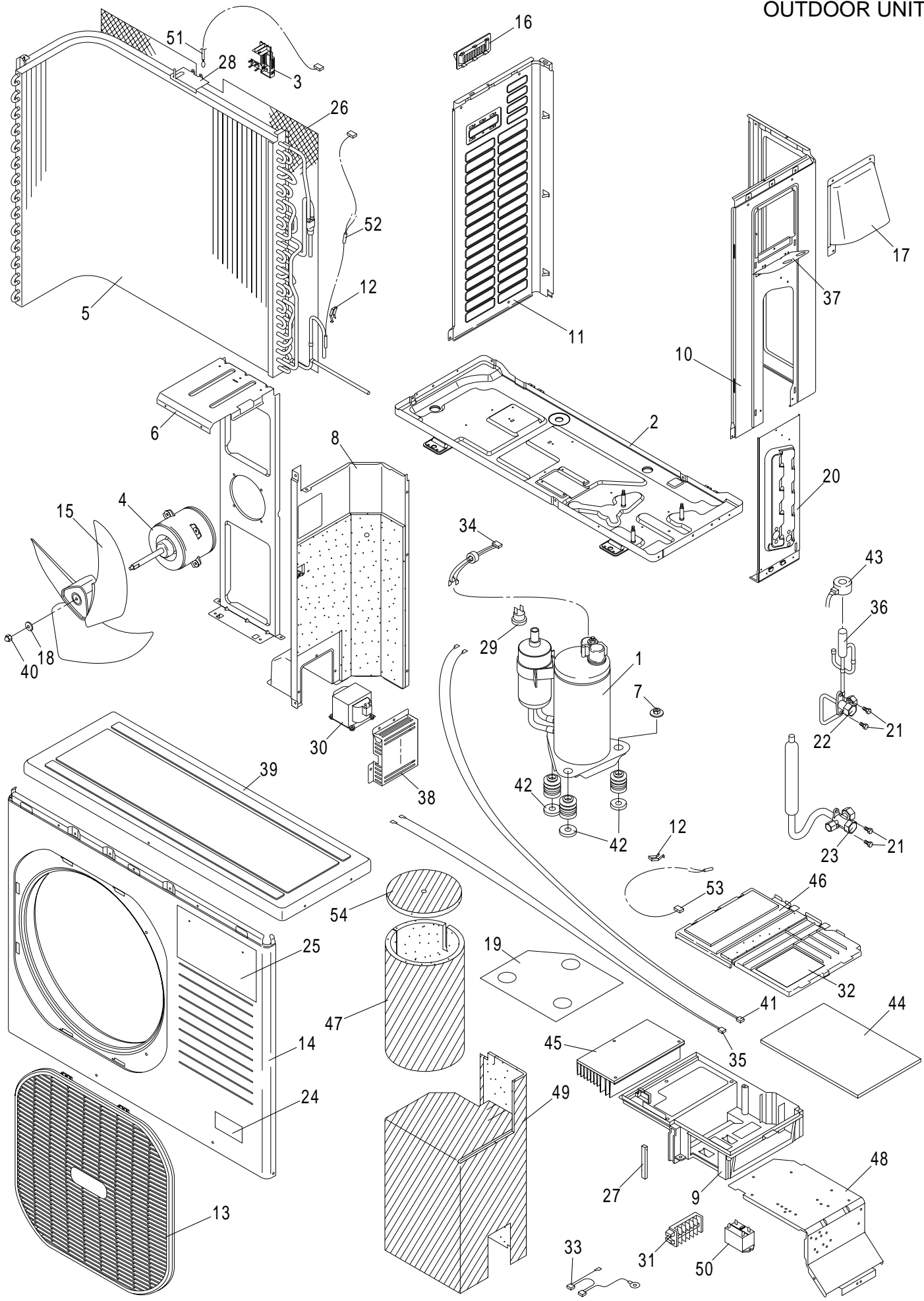
File No.

Air Conditioner

OUTDOOR UNIT
C2472

Model No.	Prod.Code	Volt-Phase-Hertz
C2472	1 852 330 37	230-208-1-60

C2472
OUTDOOR UNIT



ATTENTION !

To ensure correct parts supply, please let us know followings,
when you make service parts order:

1.Part No. 2.Description 3.Q'ty 4.Volts-Hz-Ph 5.Product Model No.

C2472
OUTDOOR UNIT

Key No.	Part No.	Description	Q'ty	Reference No.
* 1	623 191 5441	Comp Sub Ass'y G8T265FU1JW	1	852-0-4526-34800
2	623 191 7834	Bottom Plate Ass'y	1	852-0-2202-80011
3	623 171 9278	Mounting Thermostat	1	852-2-5303-24501
* 4	623 191 5427	Fan Motor SIC-71FW-D490-1	1	1FA-4-M4A0-10400
5	623 191 7827	Heat Exch Cond Ass'y	1	852-0-4119-20100
6	623 191 7810	Mounting Plate, Fan Motor	1	852-2-2354-31410
7	623 029 6534	Nut Special Ass'y	3	851-0-2395-10501
8	623 191 7803	Partition Plate Ass'y	1	852-0-2209-42210
9	623 191 7230	Elec. Component Box	1	852-2-5307-70601
10	623 191 7872	Side Panel	1	852-2-1114-41511
11	623 191 7865	Side Panel	1	852-2-1114-41311
12	623 148 5876	Mounting Thermostat	2	852-2-5303-22401
13	623 191 7858	Guard	1	852-2-1321-24211
14	623 191 7841	Front Panel	1	852-2-1118-24711
15	623 191 5458	Propeller Fan	1	852-2-2502-20100
16	623 191 7186	Handle	1	852-2-2303-17811
17	623 191 7896	Cover Ass'y	1	852-0-2309-25100
18	638 004 7574	Washer	1	3-9021-03300
19	623 191 5526	Sheet	1	852-2-5328-50000
20	623 191 7889	Support Valve	1	852-2-2222-38411
21	623 090 6907	Deltite Screw	4	3-9201-61601
22	623 191 5502	Valve Ass'y 1/4"	1	852-0-4515-43400
23	623 184 5700	Valve Ass'y 5/8"	1	852-0-4523-15800
24	623 161 1497	Label	1	854-2-1358-95900
25	623 190 7477	Mark	1	852-2-1316-44001
26	623 191 7926	Guard	1	852-2-1321-24700
27	623 191 7292	Packing	1	852-2-2380-98210
28	623 191 7919	Mounting Plate	1	852-2-2385-15811
* 29	623 190 7637	Thermostat CS-7L115	1	4-2339-60069
* 30	623 191 7902	Reactor R9020A-TE-COV	1	1FA-4-L5C0-13500
* 31	623 096 5041	Terminal Base JTU20-6	1	4-2379-56228
32	623 191 7964	Elec. Wiring Diagram	1	8FA-2-5257-68700
* 33	623 191 7315	Wire Ass'y CN-OLR&HP-SW	1	8FA-0-5285-70700
* 34	623 191 5588	Wire Ass'y CN-COMP	1	8FA-0-5285-68100
* 35	623 191 5571	Wire Ass'y CN-REACTOR	1	8FA-0-5285-68300
36	623 185 9929	Elec Exp Valve Ass'y UKV-25D46	1	852-0-4524-17400
37	623 191 7940	Conduit Plate	1	852-2-1319-45200
38	623 191 7421	Cover Plate	1	852-2-5315-49101
39	623 191 7933	Top Plate Ass'y	1	852-0-1103-23210
40	638 012 6705	Funa 6 SUS305	1	3-9275-06010
* 41	623 190 7569	Wire Ass'y CN-OLR	1	8FA-0-5285-70400
42	623 191 5618	Cushion Rubber	3	852-2-2390-30800
* 43	623 190 7552	Magnetic Coil UKV-A014	1	1FA-4-L8A0-37900
* 44	623 191 7957	Circuit Board Ass'y CB-C2472	1	8FA-0-5181-24100
45	623 190 7538	Cooler A6063S-T5	1	852-2-4127-24201
46	623 191 7353	Cover,Elec.Component Box Ass'y	1	852-0-5302-30700
47	623 191 5595	Insulation	1	852-2-2476-72100
48	623 191 7346	Mounting Plate	1	852-2-2385-15601
49	623 191 5663	Insulation	1	852-2-2476-72200
* 50	623 172 7730	Power Relay EL1U	1	1FA-4-S2A0-10000

NOTE: Metal and plastic parts will be supplied basically with necessary heat insulation pads or packing. Each key number with an asterisk (*) means the recommended service parts.

ATTENTION !

To ensure correct parts supply, please let us know followings,
when you make service parts order:

1.Part No. 2.Description 3.Q'ty 4.Volts-Hz-Ph 5.Product Model No.

C2472
OUTDOOR UNIT

Key No.	Part No.	Description	Q'ty	Reference No.
* 51	623 190 7606	Thermistor Ass'y K TKS295B	1	8FA-0-5259-18700
* 52	623 191 5656	Thermistor Ass'y K TKS292B	1	8FA-0-5259-18800
* 53	623 191 5649	Thermistor Ass'y K TKS293B	1	8FA-0-5259-18900
54	623 191 5632	Insulation	1	852-2-2476-72000

NOTE: Metal and plastic parts will be supplied basically
with necessary heat insulation pads or packing.
Each key number with an asterisk (*) means the
recommended service parts.

The SANYO logo consists of the word "SANYO" in a bold, sans-serif font. The letter "Y" is stylized with multiple vertical lines passing through it, creating a sense of motion or depth.

SANYO Electric Co.,Ltd
Osaka, Japan
1/06 Printed in Japan